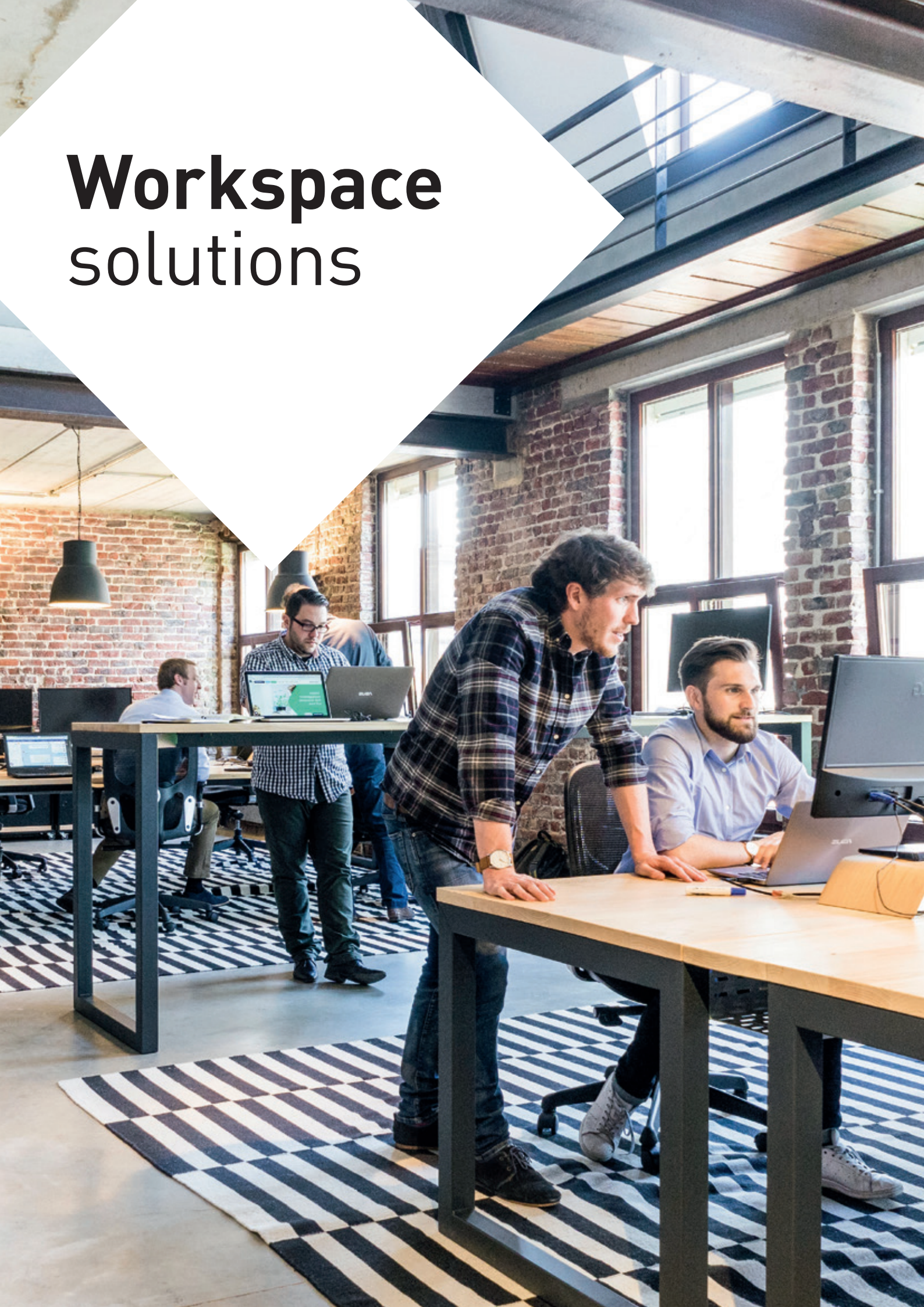


# WORKSPACE Solutions





# Workspace solutions



## **Modern Work / Open Space**

- 5** Monitor Mounts
- 8** Lighting
- 12** Drawer Boxes
- 13** Cable Management
- 14** Furniture

## **Welcome Desk / Access Control**

- 17** Tablet Holder
- 20** Presenter
- 21** Umbrella Stands/Waste Baskets
- 22** DURACARD ID Card Printer
- 23** ID Card Holders/Accessories

## **Waste and Building Management**

- 27** Pictograms
- 28** Key Boxes
- 29** First Aid Boxes
- 30** Waste Baskets and Bins
- 32** Door Signs
- 34** DURAFRAME® Infoframes
- 36** Disinfectant Dispensers
- 38** Floor Markings



# Modern Work/ Open Space





# Monitor Mounts

Flexible. Stable.  
High-quality. Sustainable.

The timeless design of the monitor mounts blends into any modern desk environment and saves space on the desktop thanks to their variable mounting options. The monitor mounts' features make installing the monitor a breeze. Thanks to the standard VESA fittings and a smart click mechanism, it only takes one person to install the monitors.

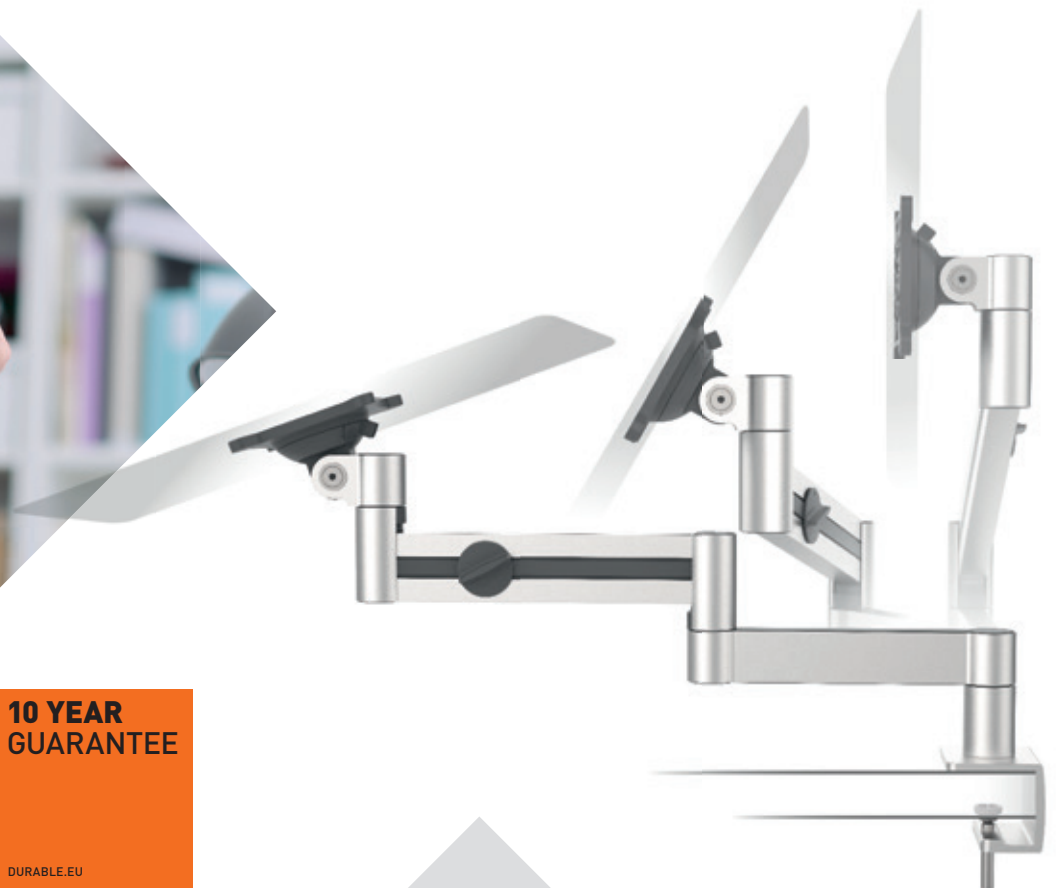
The highlights:

- Exceptional flexibility and smooth adjustment
- Simple monitor mounting with click mechanism
- Secure and organised cable routing with practical cable clips
- Long service life thanks to high-grade aluminium and premium plastics
- Patent pending for mounting system
- Made in Germany to the highest Quality
- 10-year guarantee



**10 YEAR  
GUARANTEE**

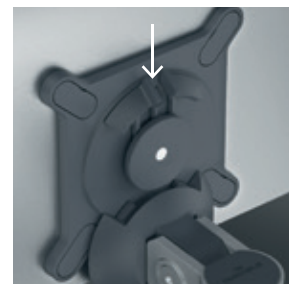
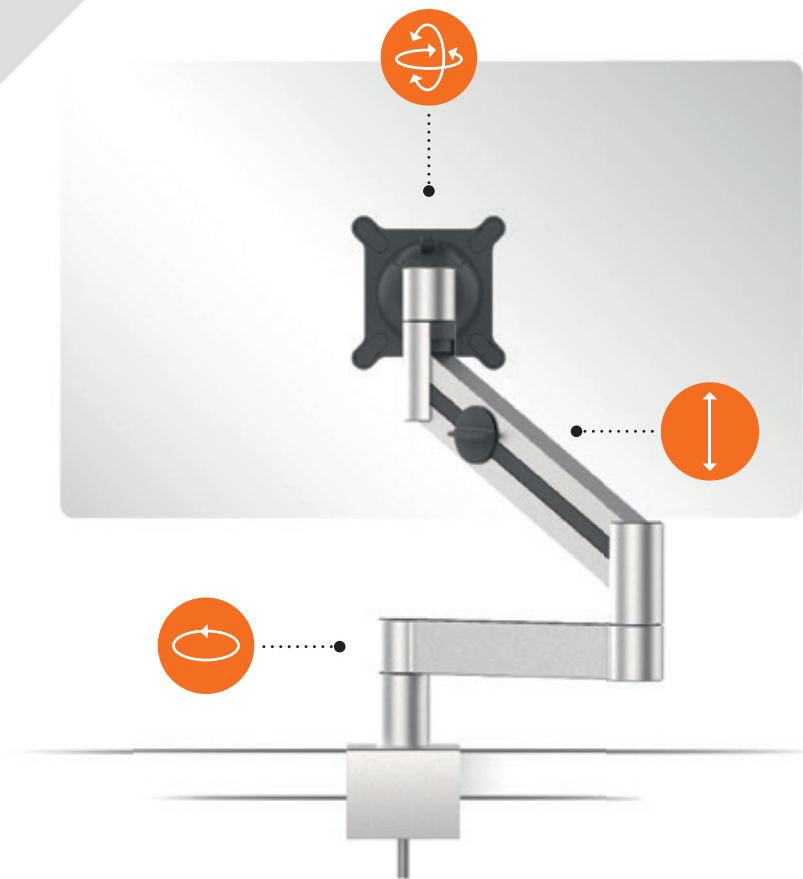
DURABLE.EU



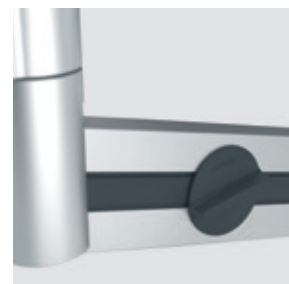
# MONITOR MOUNT

## with arm for one screen

This monitor arm is the ideal desk mount for a single screen. It gives you the total freedom to adjust the position of the monitor for ergonomic viewing. The integrated gas spring makes adjusting the screen a smooth process. A rotary dial lets you change the spring's resistance to match the weight of the monitor. Custom monitor tilt position always stays the same thanks to intelligent mounting system.



Extra easy installation of the monitor in the mount thanks to click mechanism



Easy alignment to the monitor weight with a rotary dial



Monitor can be rotated 360° for working in portrait or landscape mode

### MONITOR MOUNT WITH ARM FOR 1 SCREEN, DESK CLAMP

- Desk mount with flexible monitor arm for 1 screen
- Easy movement of the screen due to internal, maintenance-free gas spring and easy adjustment to the monitor weight by turning the dial, no separate tools necessary
- Extra light attachment of the screen by snapping into the holder
- Includes 3 cable clips for orderly cable management
- Upper arm height adjustable from 160-330 mm (note: measuring point is the centre of the axis)
- Rotation 360°, Can be moved up and down, Monitor can be tilted 110°; 85° upwards, 25° downwards, tool-free adjustment of the monitor weight 3 - 8 kg
- Fixing with table clamp
- Dimensions: 345×470×120 mm (W×H×D)

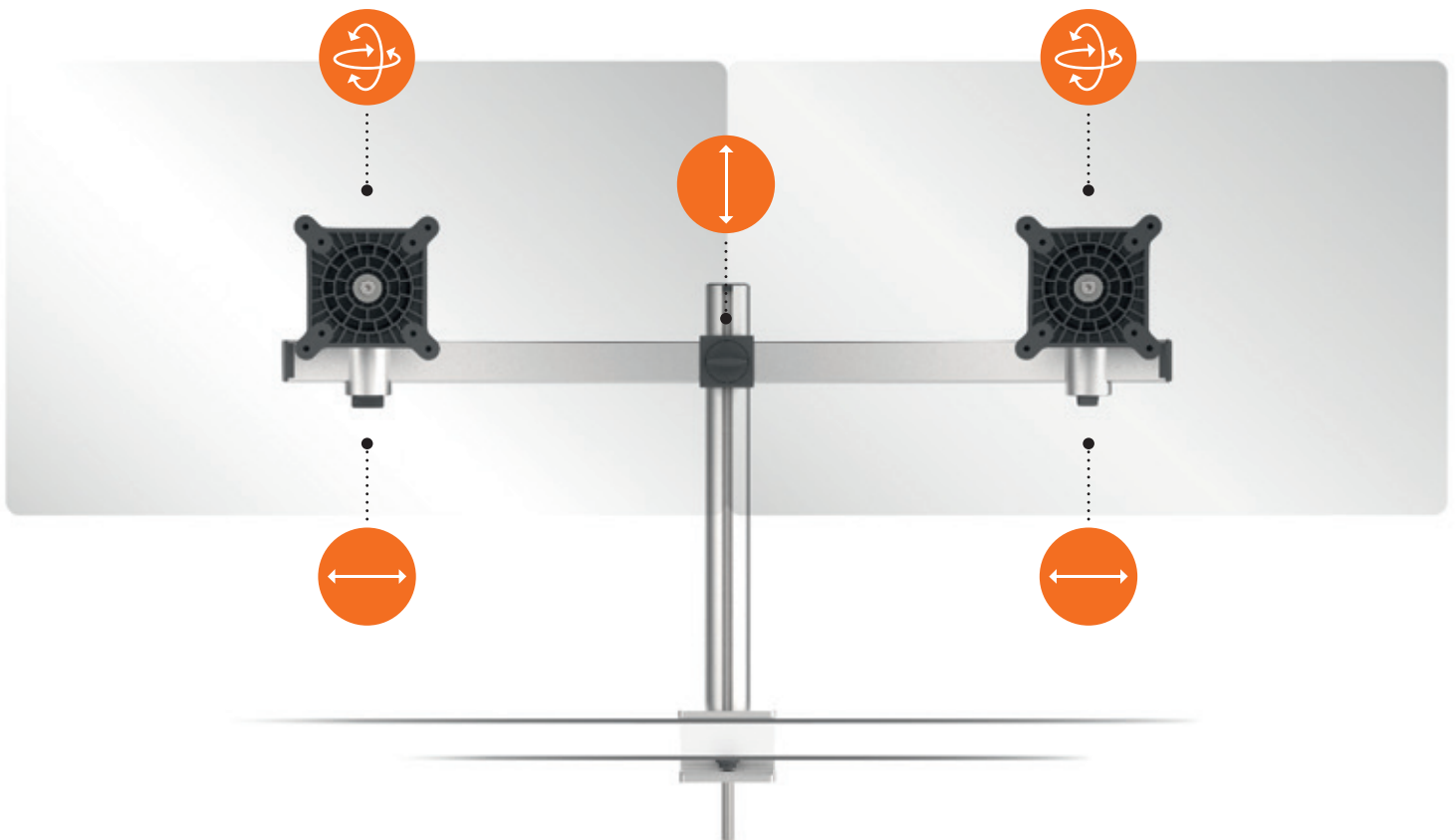
# 5083    23 silver  
📦 1 piece



# MONITOR MOUNT

## for two screens

The sturdy aluminium structure combined with a horizontal supporting arm, is the ideal solution for workstations with two screens. The innovative safety system ensures that the supporting arm does not slip while you adjust the height. This version also features a simple click mechanism for installing monitors. The screens can be moved along the supporting arm, aligned individually and used independently from one another, in portrait or landscape mode.



### MONITOR MOUNT FOR 2 SCREENS, DESK CLAMP

- Adjustable table mount for 2 screens
- Individually adjustable height, tilt and positioning of the screens
- Extra easy attachment of the screen by snapping it into the holder
- Tool-free height adjustment, 50 - 340 mm
- Safety system protects the monitors from slipping when the height is adjusted
- Incl. 5 individually attachable cable clips for orderly cable management
- Attachment with desk clamp
- Dimensions: 780×445×190 mm (W×H×D)

# 5085    23 silver  
 1 piece



Height-adjustable monitor supporting arm, from 50 to 340 mm by simply turning the rotary dial



Incl. 5 sliding cable clips for organising cables

LUCTRA

# VITAWORK®

The best light  
for workplaces



Even lighting for rooms of every size.

VITAWORK® is available with three different luminous flux intensities which can light rooms of different size. The colour temperature of 4,000 K with a colour rendering index of CRI >80 provides optimal light for working. The combination of direct and indirect illumination creates a feeling of natural light and provides particularly even illumination.

State-of-the-art LEDs provide either symmetrical or asymmetrical light distribution via a light panel. VITAWORK® is suitable for complete illumination of larger and more spacious offices - depending on the application, it will also fulfill the requirements of the EN 12461-1 standard and the German ASR compliance. When developing this range, we placed special emphasis on energy efficiency (approx. 135 lm/W).

A variant with biologically effective lighting (2,700–6,500 K) completes the product range.



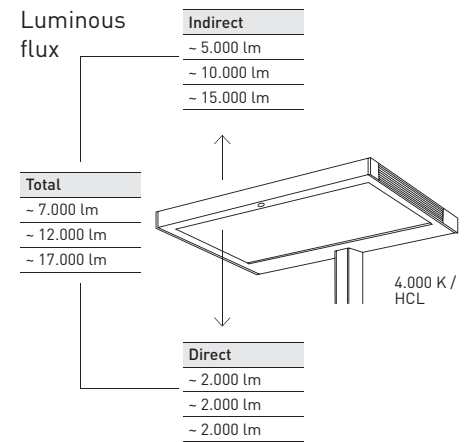




## You can adjust the uplight and downlight separately to suit your individual needs

### LUCTRA® VITAWORK®

- Direct/indirect distribution for a natural light impression and even illumination
- Lighting individual areas and different tasks in one design
  - 7.000 lumen: Open Space
  - 12.000 lumen: Offices with single and double work stations (approx. 16 m<sup>2</sup>)
  - 17.000 lumen: Large rooms, exposed concrete ceilings, special requirements
- Ideal for height-adjustable tables
- Automatic control via light intensity and presence sensors to save on energy costs



**MADE IN GERMANY**

DURABLE.EU

## Operation and sensors

At the core of all LUCTRA® lamps is the patented VITACORE® electronic system. It helps provide the best quality of light, and its operation is so simple. VITAWORK® comes with a pleasantly unobtrusive touch panel. In addition to the on/off function, it's possible to adjust both the uplight and downlight seamlessly.

If desired, the floor lamp can also be controlled via a presence or light intensity sensor, which reduces energy costs.



➔ More products and information can be found at [luctra.eu](http://luctra.eu)



LUCTRA  
**TABLE LAMPS**  
for visual comfort



GERMAN  
DESIGN  
AWARD  
GOLD  
2017



reddot award 2015  
winner lighting design

LUCTRA® TABLE and TABLE PRO provide top quality lighting wherever you place them.

These lamps bring both excellent design and biologically effective light that can be adjusted to your individual personal lighting needs.

The design of the table lamp has deliberately been kept timeless and restrained, so that all its variants fit into a greater variety of rooms and interior design styles. The TABLE and TABLE PRO lamps are available with either a round (RADIAL) or an angular lamp head (LINEAR) and come in a range of colours - black, white and aluminium.

If you are looking for the perfect light on your desktop, you can choose between TABLE and TABLE PRO. The technical differences can be found on our website [luctra.eu](http://luctra.eu).





## Focus on people

All human beings have their own circadian rhythms controlled primarily by natural daylight. With state-of-the-art LED technology and control, LUCTRA® is able to simulate the natural course of daylight and therefore ensure a well-balanced day-and-night rhythm.



## Innovative operation

LUCTRA® models come with the latest LED technology and offer light of excellent quality. The colour and intensity of the light is easy and intuitive to set.

Simply tap the touch panel to adjust the light to your personal needs. Control via the app is particularly convenient, allowing you to create the optimal 24-hour lighting curve, automating the light to change throughout the day without you having to think about it.

## LUCTRA® TABLE PRO LUCTRA® TABLE

- 01 | Self-locking joints
- 02 | Colour temperature adjustable from 2,700 to 6,500 Kelvin
- 03 | USB charging feature for smartphones and tablets



- 04 | Warm white and cold white LEDs, high illuminance levels of 1,000 lux on the table surface, high colour fidelity
- 05 | Temperature management for a long service life of well over 50,000 hours for LEDs
- 06 | Adjustment of colour temperature to personal daily rhythm with VITACORE® app



**MADE IN GERMANY**

DURABLE.EU

Name	Design	Colour code/colour	Product #
TABLE PRO	Linear	01 black/02 white/23 silver	9215
TABLE PRO	Radial	01 black/02 white/23 silver	9216
TABLE	Linear	01 black/02 white/23 silver	9201
TABLE	Radial	01 black/02 white/23 silver	9202

# VARICOLOR®

## Drawer boxes



- Drawer box with coloured drawers
- Made from premium quality plastics
- Drawers operate smoothly and silently and have drawer stops
- Coloured drawers aid document organisation
- Transparent labelling windows with printable insert labels are included
- Suitable for storing A4, C4, folio and letter-size formats
- Drawer boxes are stackable with non-slip plastic feet



reddot design award  
winner 2013



product  
design award



DESIGNPREIS  
DER  
BUNDESREPUBLIK  
DEUTSCHLAND  
2013  
NOMINIERT

2013



### VARICOLOR® MIX 5

- With 5 coloured drawers
- Dimensions: 280×292×356 mm (W×H×D)

# 7625    27 multi coloured  
📦 1 piece

### VARICOLOR® 10

- With 10 slimline coloured drawers
- Dimensions: 280×292×356 mm (W×H×D)

# 7610    27 multi coloured  
📦 1 piece

# CAVOLINE® Cable manager

- High quality and functional cable manager
- Variety of options for socket strips, power and USB cables
- Many application possibilities and high flexibility
- Simple and comfortable to use



## CAVOLINE® BOX S

- Elegant and exclusive cable box
- Double-sided cable outlet slots for easy handling and air circulation
- Lid with convenient round cable opening for mobile phone charging cable
- High-quality flame retardant plastic
- Large non-slip rubber feet



## CAVOLINE® BOX S

- For holding cables and a small socket power strip
- Dimensions: 246 × 128 × 116 mm (W × H × D)

# 5035    10 grey, 37 graphite  
 1 piece



## CAVOLINE® BOX L

- For holding cables and a 5-way socket power strip
- Dimensions: 406 × 139 × 156 mm (W × H × D)

# 5030    10 grey, 37 graphite  
 1 piece

## CAVOLINE® CLIP MIX

- Self-adhesive cable clips for 1, 2, 3 and 4 cables
- Made of soft plastic
- For attaching to smooth and clean surfaces
- Ideal for phone and USB cables up to 5 mm in diameter
- Content: 2 for 1 cable, 2 for 2 cables, 2 for 3 cables, 1 for 4 cables

# 5041    10 grey, 37 graphite  
 7 per pack





# FURNITURE

With its mobile furniture series, the DURABLE office furniture range provides solutions for every need and every setting to fit in seamlessly with every office environment. The small furniture series includes different products such as computer workstations, suspension file trolleys and multifunctional trolleys.



## SYSTEM MULTI TROLLEY 48

- With two fixed shelves
  - Dimensions: 600×477×432 mm (W×H×D)
- # 3710    10 grey, 124 metallic silver/beech  
1 piece

## MULTIFUNCTIONAL TROLLEY 74/53 CLOSED

- To be closed with 2 double wing doors
- 2 adjustable shelves
- Holds up to 30 kg per shelf
- Dimensions: 528×748×400 mm (W×H×D)

# 3115    02 white, 10 grey, 47 beech  
1 piece



## SYSTEM OVERHEAD/BEAMER TROLLEY

- For projectors
- Top shelf has an adjustable tilt angle
- Top shelf can be moved sideways by 180° if overhead projectors are to be used
- The middle shelf is adjustable in 32-mm intervals
- Dimensions 508×882×432 mm (W×H×D)

# 3701    10 grey  
1 piece

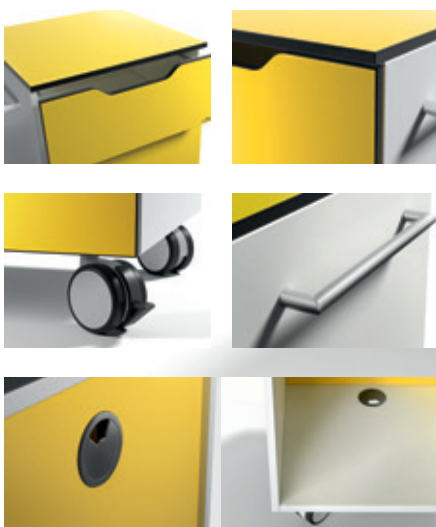


# QUADRO

## Multifunctional Trolley



- Multi-functional trolley with modern design
- Highly robust and water resistant due to high density wood fibreboard
- Ideal for offices and conference rooms
- 2 cable tidy holes enables easy use of electrical equipment
- With soft-close drawer and door
- 4 castors, of which 2 have brakes
- Delivery: flat packed



### QUADRO® MULTI TROLLEY ADVANCED

- With door
- 1 adjustable shelf
- 2 handles for convenient handling
- Dimensions: 450×1000×450 mm (W×H×D)
- Dimensions over all:  
530×1000×450 mm (W×H×D)

# 3131      04 yellow, 29 light brown  
 1 piece



### QUADRO® MULTI TROLLEY BASIC

- Open trolley
- 1 adjustable shelf
- Dimensions: 450×1000×450 mm (W×H×D)

# 3132      06 blue, 29 light brown  
 1 Piece





**Welcome Desk/  
Access Control**





# TABLET HOLDER

Modern communication culture is characterised by flexibility, mobility and dynamism. The use of tablets in business is rising and taking over a whole range of professional tasks such as data review and presentation, content creation and product service demonstrations. So, with a need for information and presentation systems to integrate into an extensive array of applications, DURABLE have developed a premium Tablet Holder range.



## TABLET HOLDER TABLE

- Desktop tablet holder
- Made from aluminium, steel and high-quality plastics
- Adjustable screen angle 0° to 88°
- Non-slip base
- Slot for additional anti-theft protection via cable lock
- Dimensions: 155×242×183 mm (W×H×D)

# 8930    🔒 23 silver  
📦 1 piece



# TABLET HOLDER

- Variable fit for all tablet sizes 7" -13"
- 360° rotatable screen with snap-in points every 90°
- Smooth screen angle adjustment
- Slot for charging cable to be connected to the tablet whilst in use
- Anti-theft locking device for tablet (applies to all articles with the exception of 8937 and 8938)
- Stylish aluminium finish

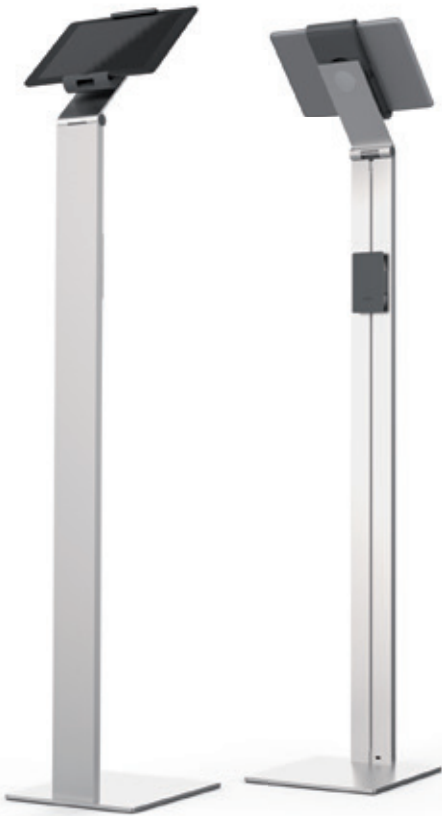


## TABLET HOLDER WALL

- Slimline wall bracket for tablets
- Attach to a wall using the fixings supplied
- Universally and flexibly applicable
- Easy assembly
- Dimensions: 85×50×180 mm (W×H×D)

# 8933      23 silver

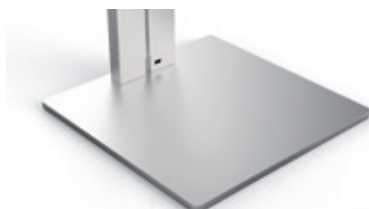
📦 1 piece



**TABLET HOLDER FLOOR**

- Flexible and stable floor standing tablet holder
- Made from aluminium, steel and high-quality plastics
- Adjustable screen angle 0° to 88°
- Non-slip base
- Cable channel at the rear with a height adjustable cable tidy clip (USB connection cable included)
- Slot for additional anti-theft protection via cable lock
- Dimensions: 270×1215×270 mm (W×H×D)

# 8932    23 silver  
 1 piece





# PRESENTER

We provide templates.  
More than 20 different signs  
in 24 different languages.



## INFO SIGN STAND A3

- Aluminium stand with heavy cast-iron base
- Crystal-clear "INFO SIGN" acrylic panel for displaying materials in A4 or A3
- Can be used in either portrait or landscape format
- Height adjustable and the reading angle can be adjusted by 10°
- Professionally design and print inserts using free online software available from [www.duraprint.eu](http://www.duraprint.eu)
- Assembly instructions included
- Height A3 portrait: 1.25 m/1.18 m
- Height A3 landscape: 1.20 m/1.13 m

# 4813    23 silver  
📦 1 piece

DURAPRINT.EU



BROWSER BASED PRINTING

## CRYSTAL SIGN STAND A4

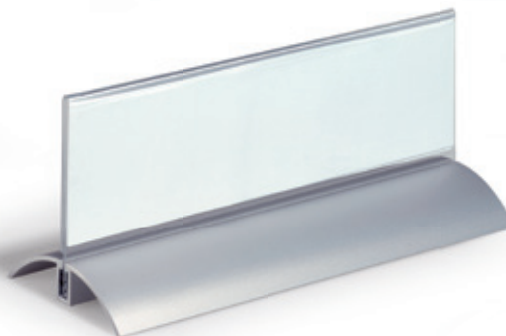
- Aluminium stand with heavy cast-iron base
- Crystal clear acrylic "CRYSTAL SIGN" panel for materials in A4 or A3
- incl. 2 semi-translucent, PC-printable sheets
- For use in either portrait or landscape format
- Height adjustable and rotation of reading angle by 10°
- Assembly instructions included
- A4 translucent insert sheets available separately (product # 4835)
- Height A4 portrait: 1.18 m/1.11 m
- Height A4 landscape: 1.13 m/1.06 m

# 4818    23 silver  
📦 1 piece



MADE IN  
EU

DURABLE.EU



## DESK PRESENTER DE LUXE

- High quality table place name holder
- Made from crystal clear acrylic and aluminium
- A clamping system ensures that the acrylic plate fits securely
- Inserts are easy to insert and replace
- For conferences, receptions and counters and for price notices in shop windows and sales areas
- 61/122×210 mm

# 8202    19 transparent  
📦 2 per pack



# Umbrella stands and Waste Baskets



## UMBRELLA STAND METAL ROUND 28.5

- Premium umbrella stands with perforated decorative strip
- Ideal for entrance areas, offices, retail stores or private homes
- Capacity 28.5 litres
- Dimensions: 620×260 mm (H×Ø)
- Made of epoxy resin-coated metal

# 3350    01 black, 23 silver, 58 charcoal  
 1 piece



## UMBRELLA STAND STAINLESS STEEL ROUND 28.5

- Premium umbrella stands with perforated decorative strip
- Ideal for entrance areas, offices, retail stores or private homes
- Capacity 28.5 litres
- Dimensions: 620×260 mm (H×Ø)
- Made of stainless steel

# 3371    23 silver  
 1 piece



## WASTE BASKET METAL WITH ASHTRAY SQUARE

- 17-litre metal waste bin with integrated 2-litre ashtray
- With 2 apertures at the front and at the rear
- Removable inside container and ashtray
- Ashtray with wire insert, complete with 1.5 kg sand filling
- Dimensions of removable ashtray: 240×50×240 mm (W×H×D)
- Dimensions of paper aperture: 180×130 mm (W×H)
- Dimensions of inside container: 380×220 mm (H×Ø)
- Product dimensions: 250×620×250 mm (W×H×D)

# 3331    01 black, 23 silver, 58 charcoal  
 1 piece



## WASTE BASKET STAINL. STEEL WITH ASHTRAY ROUND

- 17-litre waste bin made of brushed stainless steel with integrated 2-litre ashtray
- Removable inside container and wire insert for easy cleaning
- Complete with 1.5 kg sand filling for the ashtray.
- Dimensions of removable ashtray: 60×240 mm (H×Ø)
- Dimensions of paper aperture: 190×125 mm (W×H)
- Dimensions of inside container: 380×220 mm (H×Ø)
- Product dimensions: 620×260 mm (H×Ø)

# 3373    23 silver  
 1 piece



# DURACARD ID 300 and accessories

Ready-to-use card printer for quick and easy printing of ID and loyalty cards. The pack includes YMCKO colour ribbon and 100 blank plastic cards. Prints cards in photo quality, monochrome or multi-colour.



## DURACARD ID 300

- Card printer for printing plastic cards sized 53.98×85.60 mm (ISO 7810, CR80)
- Printing: Colour: sublimation, monochrome: thermal transfer
- Photo-quality printing due to 260×300 dpi resolution
- 16 MB memory (RAM)
- Edge-to-edge colour printing with protective varnish
- USB 2.0 (USB 1.1 and 3.0 compatible)

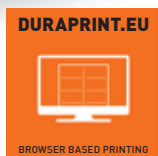
# 8910    00 assorted, 65 english neutral

1 piece

### System requirements

**Mac:** Mac OS X 10.6 or higher, Intel Processor only, 512MB of RAM, 1024 x 768 pixels monitor resolution, 1 USB port

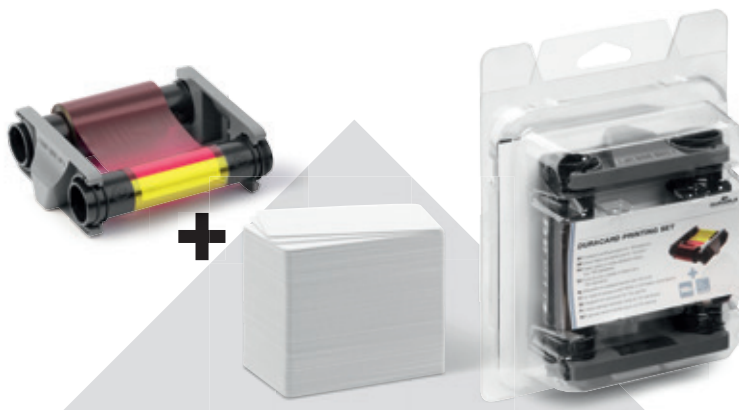
**PC:** Windows™ XP SP3, Vista, 7 and 8 (32 & 64 bit), 512MB of RAM, 1024 x 768 pixels monitor resolution, 1 USB port



Perfectly combined with  
DURAPRINT®



DURAPRINT®-Video



## DURACARD PRINTING SET (COLOUR RIBBON + CARDS)

- Set of one YMCKO full colour ribbon with plastic cards (0.76 mm) to print 100 cards in photo quality
- Transparent protective coating seals the cards
- Colour ribbon with RFID code for fast recognition of the ribbons by the DURACARD ID 300 card printer

# 8913    00 assorted

1 set



# Name badges

Many of us have access and security cards which contain magnetic strips or ID chips. DURABLE offers a wide range of card holders to protect these cards and ensure they keep working.



## CARD HOLDER PUSHBOX

- Separate compartments to protect the cards
- Sliders for easy removal of individual cards
- Break-resistant attachment point
- Can be used in either portrait or landscape format
- Crystal clear plastic for easy readability
- Ideal for protecting magnetic and coded cards
- Can be combined with clip, textile lanyard or badge reel
- Internal dimensions: 54×87 mm



## CARD HOLDER PUSHBOX TRIO

- Card holder for 3 Cards

# 8920 19 transparent  
 10 per pack



## CARD HOLDER PUSHBOX DUO

- Card holder for 2 Cards

# 8921 19 transparent  
 10 per verpakking



## CARD HOLDER PUSHBOX MONO

- Card holder for 1 card

# 8922 19 transparent  
 10 per pack



**ENCLOSED CARD HOLDER WITH CLIP FOR 1 ID CARD/SECURITY PASS**

- With rotating clip fastener
- Thumb slot for easy removal and exchange of the card
- Can be used in either portrait or landscape format
- Can be combined with a chain, textile necklace or badge reel
- Internal dimensions: 54×87 mm (H×W)

# 8005      19 transparent  
 25 per pack



**SECURITY PASS HOLDER WITH CLIP FOR 2 ID CARDS**

- With rotating clip fastener
- Thumb slot for easy removal and exchange of the card
- Can be used in either portrait or landscape format
- Can be combined with a chain, textile necklace or badge reel
- Internal dimensions: 54×87 mm (H×W)

# 8013      19 transparent  
 25 per pack

**ID CARD HOLDER WITH CLIP FOR 1 ID CARD/SECURITY PASS**

- Can be used in either portrait or landscape format
- With rotating clip fastener
- Internal dimensions: 54×87 mm (H×W)

# 8118      01 black, 03 red, 06 blue,  
 19 transparent  
 25 per pack

Other fastening systems available

**DUAL SECURITY PASS HOLDER WITH CLIP FOR 2 ID CARDS/SECURITY PASSES**

- Can be used in either portrait or landscape format
- With rotating clip fastener
- Internal dimensions: 54×87 mm (H×W)

# 8218      01 black, 06 blue, 19 transparent  
 25 per pack



# Textile lanyards



## TEXTILE LANYARDS

- Can be combined with all DURABLE products
- Choice of several fastening options
- Large choice of colours

## TEXTILE LANYARD SOFT COLOUR

- Textile lanyard with safety release
- Silky soft textile finish
- Extra wide metal snap hook
- For use with all DURABLE card holders
- Width: 15mm,
- Length: 440 mm
- Width (snap hook): 12 mm

# 8127    01 black, 28 midnight blue, 32 dark green, 135 ochre, 136 coral  
 10 per pack

## TEXTILE LANYARD WITH BADGE REEL AND SNAP HOOK

- 10 mm-wide textile lanyard
- With safety lock which will open if the necklace gets trapped or caught
- Combined with a badge reel and spring hook
- May be used with all DURABLE name badges that have either a punched hole for a clip or a pin
- Length of ribbon: 44 cm
- Length of badge reel: 80 cm

# 8223    01 black  
 10 per pack



## TEXTILE LANYARD 10 WITH SAFETY RELEASE

- 10 mm-wide textile lanyard
- Clip enables combination with all DURABLE name badges that either have a punched hole for a clip or a pin
- Length: 44 cm

# 8119    01 black, 03 red, 07 dark blue, 10 grey  
 10 per pack



## TEXTILE LANYARD 20 „VISITOR“

- 20 mm wide textile lanyard
- With safety release
- With print "VISITOR"
- Snap hook enables combination with all DURABLE name badges and security pass holders that have a punched hole

# 8238    03 red  
 10 per pack



## TEXTILE LANYARD 20 „STAFF“

- 20 mm wide textile lanyard
- With safety release
- With print "STAFF"
- Snap hook enables combination with all DURABLE name badges and security pass holders that have a punched hole

# 8239    01 black  
 10 per pack



# Building and Waste Management



# Pictograms



## PICTO SQUARE

- Made of high-quality brushed stainless steel
- Large, square format can be easily read from a distance
- Scratch-proof, hardwearing print
- With adhesive pads for fastening to a great variety of surfaces



## PICTO SQUARE

- Motif: "Women's / Men's"

# 4958    23 silver  
 1 piece

## PICTO

- Made of premium-quality brushed stainless steel
- Scratch-proof
- With adhesive pad for fastening to a variety of surfaces



## PICTO

- Motif: "Push"
- Size: Ø 65 mm

# 4900    61 german neutral,  
 65 english neutral  
 1 piece



## PICTO

- Motif: "Pull"
- Size: Ø 65 mm

# 4901    61 german neutral,  
 65 english neutral  
 1 piece



## PICTO

- Motif: WiFi
- Size: Ø 83 mm

# 4785    23 silver  
 1 piece



## PICTO

- Motif: „WC“
- Size: Ø 83 mm

# 4907    23 silver  
 1 piece

# Key boxes

Keep keys secure and close to hand with the professional key management range. DURABLE offers an innovative range of convenient solutions for efficient and secure key storage for numerous areas of application.



## KEY BOX

- Designer key boxes made of aluminium with cylinder lock or turn lock options
- Various key storage capacities available
- Safe attachment and quick access to key holders through special key rails
- Key rails can be adapted in height to key sizes
- 6 KEY CLIP key holders and assembly kit included
- Clear list of contents through PC-printable index sheet
- Free templates for KEY CLIP labels and index sheet are available for download from [www.durable.eu](http://www.durable.eu)



## KEY BOX 48

- Key box with cylinder lock
- For 48 KEY CLIP holders
- The front panel is equipped with key rails on one side
- 6 KEY CLIPS in assorted colours included
- Dimensions: 302×400×118 mm (W×H×D)

# 1954    🔑 23 silver  
📦 1 piece



## KEY BOX PLUS

- Key box with combination lock
- For 54 KEY CLIP holders
- Quick return of keys through chute in the lid
- Swivel tray inside for easy removal of returned keys
- Code can be set individually
- The front panel is equipped with key rails on both sides
- 6 sample KEY CLIPS in assorted colours included
- Dimensions: 302×400×118 mm (W×H×D)

# 1968    🔑 23 silver  
📦 1 piece



# First aid products

The first aid range from DURABLE is safe, stylish and secure. Available in two sizes, the premium aluminium cases provide practical storage of first aid materials for use in the home, office or school environments.



## FIRST AID BOX

- Aluminium first-aid boxes for quick access to first-aid care
- Available in Medium or Large storage capacities
- Supplied filled or empty
- Depending on size, suitable for first-aid material fillings according to DIN 13157 (for administrative and commercial companies with up to 50 employees, manufacturing and processing plants with up to 20 employees or building sites with up to 10 employees), or DIN 13164 (for private use)
- Incl. self-adhesive green-and-white first aid label, cylinder lock with two keys and assembly kit



## FIRST AID SET M

- With two fold-out inside compartments
- Supplied with First Aid kit according to DIN 13164
- Dimensions: 302×280×118 mm (W×H×D)

# 1971      23 silver  
 ☞ 1 set



## FIRST AID SET L

- With three compartments
- Supplied with First Aid kit according to DIN 13157
- Dimensions: 302×400×118 mm (W×H×D)

# 1974      23 silver  
 ☞ 1 set

# Waste bins and Baskets



## DURABIN 60

- Rectangular shape
- Capacity: 60 litres
- With robust carry handles for easy transportation
- Recess bottom facilitates safe emptying of bin
- With clamp slots for waste bags
- Food-safe in all colours (according to EU Regulation no. 1935/2004/EC)
- Dimensions: 590×600×282 mm (W×H×D)

# 1800496050 🗑️ grey  
🗑️ 1 piece



## DURABIN FLIP-TOP LID 60

- Hinged lid for DURABIN 60
- Clip connections grip into the upper edge of the container
- Lid is easy to open with the handle
- Food-safe (according to EU Regulation no. 1935/2004/EC)
- Dimensions: 510×73×285 mm (W×H×D)

# 1800500050 🗑️ grey  
🗑️ 1 piece



## DURABIN HINGED LID WITH SLOT 60

- Hinged lid for DURABIN 60
- With slot for paper and cardboard
- Clip connections grip into the upper edge of the container
- Lid is easy to open with the handle
- Food-safe (according to EU Regulation no. 1935/2004/EC)
- Dimensions: 510×73×285 mm (W×H×D)

# 1800502040 🗑️ blue  
🗑️ 1 piece

DURABLE bins offer a range of options for the management of waste, as well as transport and storage of raw materials. Manufactured exclusively from premium long-lasting plastics and sturdy sheet steel, DURABLE bins are available in a variety of colours, sizes, designs and finishes, providing ideal storage solutions for a great variety of environments.



**WASTE BASKET METAL ROUND 15 D**

- Round waste bin
- With decorative finish
- Made of scratch-proof, epoxy resin-coated steel
- Capacity: 15 litres
- Dimensions: 315×260 mm (H×Ø)

# 3304    01 black  
 1 piece

**WASTE BASKET STAINLESS STEEL ROUND 15/P 165**

- Round waste bin
- Premium-quality brushed stainless steel
- With 165 mm wide decorative finish
- Capacity: 15 litres
- Dimensions: 315×260 mm (H×Ø)

# 3381    23 silver  
 1 piece

**WASTE BASKET SAFE 15**

- Round metal waste bin with aluminium or sheet steel lid
- With scratch-proof epoxy resin coating or made of stainless steel
- The lid interrupts the oxygen supply and reduces the risk of fire
- TÜV-certified
- Capacity: 15 litres
- Dimensions: 357×260 mm (H×Ø)

# 3305    01 black, 10 grey, 23 silver  
 1 piece

**PEDAL BIN**

- Available in different capacities (5, 12 or 20 litres)
- Made of powder-coated metal or stainless steel
- Removable inside bin with handle
- Bag held in place with rubber ring
- Silent closing lid
- Plastic base surround lends stability and protects against corrosion
- Lid hinge with integrated carry handle



**PEDAL BIN STAINLESS STEEL ROUND 5**

- 5-litre inner container
- Fingerprint-proof coating
- Dimensions: 260×290 mm (D×H); Ø 205 mm

# 3400    23 silver  
 1 piece

**PEDAL BIN STAINLESS STEEL ROUND 12**

- 12-litre inner container
- Scratch-proof
- Dimensions: 310×400 mm (D×H); Ø 250 mm

# 3401    23 silver  
 1 piece

**PEDAL BIN STAINLESS STEEL ROUND 20**

- 20-litre inner container
- Scratch-proof
- Dimensions: 360×455 mm (D×H); Ø 292 mm

# 3402    23 silver  
 1 piece





# Door signs



Showing visitors and customers the right way. DURABLE offers a wide range of wall, door and direction signs which are available in an extensive range of designs, sizes and finishes.



## CLICK SIGN

- CLICK SIGN range of plastic door signs in 5 different sizes
- Choice of 3 different colours for distinction between different departments
- Easily exchange inserts using the 'lift and lower' transparent front panel
- Suitable for large-scale applications such as in educational institutions, hospitals, restaurants, etc.
- Includes a mounting kit and instructions, but can also be glued into place
- PC-printable cardboard inserts to be ordered separately
- Professionally design and print inserts using free online software available from [www.duraprint.eu](http://www.duraprint.eu)



### CLICK SIGN 149 X 105,5

- For inserts 149×105,5 mm
- # 4861      02 white, 07 dark blue, 37 graphite
- 📦 1 piece



### CLICK SIGN A5

- For inserts A5 format (210×148,5 mm)
- # 4866      02 white, 07 dark blue, 37 graphite
- 📦 1 piece



**INFO SIGN**

- INFO SIGN door sign range made of aluminium in 8 sizes
- Easy exchange of card inserts by sliding out the non-reflective acrylic panel
- Suitable for use in offices, conference rooms, reception areas and more
- For screwing on to walls
- Assembly kit, drilling template and instructions included
- Matching PC-printable inserts can be ordered separately
- Professionally design and print inserts using free online software available from [www.duraprint.eu](http://www.duraprint.eu)



**INFO SIGN 149 X 105,5**

- For inserts 149x105,5 mm
- # 4801      23 silver
- 📦 1 piece



**INFO SIGN A4 PORTRAIT**

- For inserts A4 portrait (210x297 mm)
- # 4806      23 silver
- 📦 1 piece

**CRYSTAL SIGN**

- CRYSTAL SIGN range of acrylic door signs in 7 different sizes
- Easily exchange inserts by separating the two acrylic plates
- Suitable for use in offices, conference rooms, reception areas and more.
- Includes assembly kit with drilling template, screws and instructions
- PC-printable micro perforated inserts are included and refill insert packs are available separately
- Professionally design and print inserts using free online software available from [www.duraprint.eu](http://www.duraprint.eu)



**CRYSTAL SIGN 210 X 148**

- For inserts 210x148 mm
- # 4823      19 transparent
- 📦 1 piece



**CRYSTAL SIGN A4 PORTRAIT**

- For A4 inserts (210x297mm)
- # 4825      19 transparent
- 📦 1 piece



➔ For more information, please visit [durable.eu](http://durable.eu)

# DURAFRAME®

## The Infotrame

DURAFRAME® is the self-adhesive infotrame for the professional display of documents which can be changed quickly and easily and read from both sides. DURAFRAME® stays in place on smooth indoor surfaces such as doors, cabinets, glass panes and walls and can be removed again from solid backing such as glass without leaving a residue. The colour of the frame is identical on both sides. Can be used in both portrait and landscape format. Various formats ranging from A6 to 70×100 cm are available with 8 frame colours to choose from.



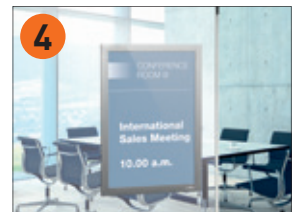
1 Remove the protective film.



2 Attach in the desired position.



3 Lift the infotrame and insert materials.



4 Simple! DURAFRAME® can be fixed on solid and smooth surfaces and can be removed from surfaces such as glass.



**DURAFRAME®**

- The self-adhesive infotrame
- Areas of application: For display and presentation of information, e.g. room identification, signage and promotional offers
- Quick insertion and easy exchange of documents via a fold-back magnetic frame
- Can be fixed on solid and smooth surfaces and can be removed from surfaces such as glass
- When applied to glass, information can be read from both sides
- Frame looks identical from both sides
- For use in portrait or landscape format



Format	Product #	Colour code/colour	Packing
A6	4870	01 black, 23 silver	2 per bag
A5	4871	01 black, 23 silver	2 per bag
A4	4872	01 black, 02 white, 03 red, 05 green, 07 dark blue, 09 orange, 23 silver, 30 gold	2 per bag
A3	4873	01 black, 03 red, 05 green, 07 dark blue, 23 silver	2 per bag

**DURAFRAME® NOTE**

- The self-adhesive infotrame for displaying documents that can be written on
- Area of application: Includes cleaning rotas in public toilets, registrations for events or for documenting maintenance checks
- Quick insertion and easy exchange of documents via the fold back magnetic frame
- Write directly onto the inserts within the frame
- Attaches to smooth, solid surfaces and can be removed from glass
- Can be filled with up to 5 sheets of 80g/sqm paper
- Universal pen holder
- When applied to glass, information can be read from both sides
- Frame looks identical from both sides
- For use in portrait and landscape formats



**DURAFRAME® NOTE A4**

- For A4 documents
  - Self-adhesive back for quick and simple attachment to smooth, solid surfaces
- # 4993    01 black, 23 silver  
 1 per bag

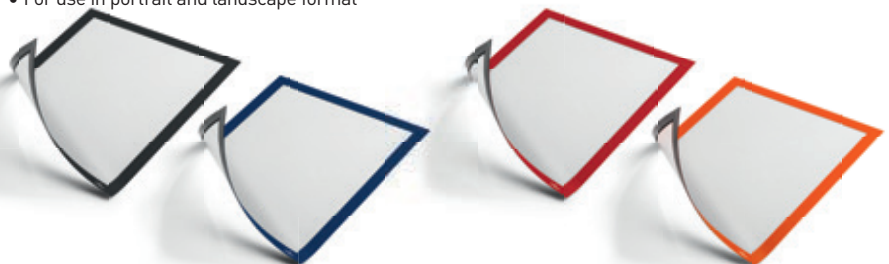
**DURAFRAME® NOTE A5**

- For A5 documents
  - Self-adhesive back for quick and simple attachment to smooth, solid surfaces
- # 4994    01 black, 23 silver  
 1 per bag

**DURAFRAME® MAGNETIC**

- The magnetic infotrame
- Surfaces: Metal surfaces, e.g. staff whiteboards, blackboards, lockers, lean cubes and production machinery such as filing cabinets, metal walls in production areas and whiteboards.
- Areas of application: For information, e.g. machine data, operational use and employee information
- Quick and easy exchange of documents by simply lifting the magnetic frame away from the surface
- For use in portrait and landscape format

- Anti glare plastic
- Magnetic edges
- Available in 5 colour options



**DURAFRAME® MAGNETIC A4**

- For A4 documents
- # 4869    01 black, 03 red, 07 dark blue, 09 orange, 23 silver  
 5 per bag

# Disinfectant Dispenser

Made of recyclable sheet steel and aluminium, these sturdy products offer maximum stability. They can also accommodate a wide range of dispenser bottle sizes. The floor-standing disinfectant dispensers are available with and without information panels and can be used in a variety of locations. When wall-mounted, the high-quality dispensers are perfect for hand sanitiser or liquid soap.

The DURABLE hygiene concept: maximum flexibility meets lasting quality.

## DISINFECTANT DISPENSER

- With a long arm lever for hygienic operation by hand, forearm or elbow
- Flexible bottle height adjustment for different bottle sizes
- Accommodates all standard bottle sizes up to 500 ml
- Incl. mounting kit and assembly instructions
- High quality and durability, material: Powder-coated sheet steel



## DISINFECTANT DISPENSER WALL

- Sturdy, high-quality dispenser for disinfectant or liquid soap for wall mounting
- Simple and straightforward wall mounting
- Dimensions: 82×246×207 mm (W×H×D)

# 5893      02 white  
📦 1 piece



## DISINFECTANT DISPENSER FLOOR

- Sturdy, high-quality dispenser for disinfectant as a mobile, free-standing floor stand
- Simple and straightforward assembly
- Dimensions: 275×1192×275 mm (W×H×D)

# 5891      02 white  
📦 1 piece



We provide templates.  
More than 20 different signs  
in 24 different languages.



For different bottle sizes

**DISINFECTANT DISPENSER WITH INFO BOARD FLOOR**

- Sturdy, high-quality dispenser for disinfectant as a mobile, free-standing floor stand with an aluminium information panel
- Flexible bottle height adjustment for different bottle sizes up to 750 ml
- Universal and variable holder for all bottle sizes up to 88×88×215 mm
- Simple and straightforward assembly, incl. mounting kit and assembly instructions
- High quality and durability, material: Aluminium and sheet steel, powder-coated
- Inserts in the A4 information panel can be replaced easily for flexible signage
- The information panel turns 90° for portrait or landscape signage
- Suitable inserts are available separately for professional labelling with DURAPRINT®
- Dimensions: 295×1464×275 mm (W×H×D)

# 5892    23 silver  
 1 piece





# Floor markings



## FLOOR MARKINGS

- Removable self-adhesive floor marking shapes
- For interior floors, e.g. in supermarkets, gyms, hotels, restaurants, filling stations and services provided in close proximity e.g. hairstylists and physiotherapists
- The surface for adhesion must be smooth, solid, clean and free of grease and dust
- Compliant with ASR A1.3 and DIN EN ISO 7010
- Slip resistance (R Group) R9 in accordance with DIN 51130

Many other products for protection and hygiene at work can be found on [durable.de](http://durable.de)



### Products

Products	Product #	Colour code/colour	Packing
'Cross' marking shape, removable. Dim. (W x H x D): 135 mm x ca. 0.2 mm x 193 mm	1049	03 red	Bag of 5 pieces
'Foot' floor marking shape, removable. Dim. (W x H x D): 90 mm x 0.2 mm x 240 mm	1047	04 yellow	5 pairs
'Keep your distance', removable. Dim.: Ø 430 mm, Thickness: 0.2 mm	1041	03 red	1 piece
'Disinfect hands', removable. Dim.: Ø 430 mm, Thickness: 0.2 mm	1038	06 blue	1 piece
DURALINE® floor marking tape 50/05, removable. Dim. (W x H x D) 50 mm x 0.5 mm x 15 m	1043	130 yellow/black	1 piece





**DURABLE · Hunke & Jochheim GmbH & Co. KG**  
Westfalenstraße 77–79 · 58636 Iserlohn  
Postfach 1753 · 58634 Iserlohn  
T +49 (0)23 71 662-0  
F +49 (0)23 71 662-221  
durable@ durable.de · durable.de

#### **INTERNATIONAL**

**DURABLE · Hunke & Jochheim GmbH & Co. KG**  
Westfalenstraße 77–79 · 58636 Iserlohn  
P.O. Box 1753 · 58634 Iserlohn · Germany  
P +49 (0)23 71 662-0  
F +49 (0)23 71-662-221  
durable@ durable.de · durable.eu

#### **FR**

**DURABLE France S.A.S**  
Immeuble Le Tryalis · 9, rue de Rosny · 93100 Montreuil  
T +33 (0)1 48 12 10 90  
F +33 (0)1 48 55 05 09  
durable@ durable.fr · durable.fr

#### **NL**

**DURABLE Nederland B.V.**  
Monierweg 3 · 7741 KV Coevorden  
T +31 (0)416 543 543  
F +31 (0)416 543 058  
durable@ durable.nl · durable.nl

#### **PL**

**Biuro Obsługi Klienta DURABLE Polska**  
Al.Kasztanowa 10 · 72-005 Przewodów  
T +48 (0)91 432 40 70  
F +48 (0)91 432 40 83  
bok@ durable.pl · durable.pl

#### **SE**

**DURABLE SCANDINAVIA AB**  
Fågelsångsvägen 4B · 186 42 Vallentuna  
Box 4 · 186 21 Vallentuna  
T +46 (0)8-630 11 50  
info@ durable.se  
durable.se

#### **UK**

**DURABLE (UK) Ltd.**  
10 Nimrod Way, Wimborne, Dorset, BH21 7SH  
P +44 (0)1202 89 70 71  
F +44 (0)1202 87 33 81  
customeroperations@ durable-uk.com  
durable-uk.com

#### **BE**

**DURABLE Belgium N.V./S.A.**  
Industriepark 14/101 · 9031 Gent-Drongen  
T +32 (0)9 281 26 44  
F +32 (0)9 281 26 29  
durable@ durable.be · durable.be

#### **IT**

**DURABLE Italia S.R.L.**  
Via Dottor Pietro Greppi, 15/B · 23824 Dervio (LC)  
T +39 (0)341 807 806  
F +39 (0)341 807 806  
info@ durable.it · durable.it

#### **RU**

**Представительство компании DURABLE в России**  
123290, г. Москва,  
ул.2-я Магистральная, д.14Г, стр.1, бизнес-центр МЕЛА  
Т/Ф +7 (0)495 601 92 13  
durable\_russia@mail.ru · durable-russia.com

#### **US**

**DURABLE Office Products Corp.**  
2475 S. Wolf Road · Des Plaines, IL 60018  
P +1 (0)800 273 31 18/847 787 01 00  
F +1 (0)847 787 03 11  
customerservice@ durableofficeproducts.com  
durable-north-america.com