

NEW WORK Solutions



Requirements for an ergonomic workplace

Workplaces and spaces have evolved considerably in recent times. Just a few years ago the focus was on technology and functional equipment, nowadays health, well-being and an ergonomic and well thought-out working environment play a major role.

DURABLE offers a range of products and solutions that embrace modern approaches such as digitisation, clean desk and mobile working, but also ergonomics.

DURABLE has over 100 years of expertise in workplace solutions and organisation concepts, which are used worldwide in a wide range of professional fields. During manufacturing, the family-run medium-sized company recognises the importance of using regional suppliers, partners and recyclable materials.

Table of content

04 – 05	LUCTRA® VITAWORK
06 – 07	LUCTRA® Table lamps
08 – 09	Monitor Mounts
10 – 11	TABLET HOLDER
12 – 13	CAVOLINE - Cable Manager
14	QUADRO - Multi-functional trolley

||| LUCTRA

VITAWORK®

The best light for workplaces



Even lighting for rooms of every size.

VITAWORK® is available with three different luminous flux intensities which can light rooms of different size. The colour temperature of 4,000 K with a colour rendering index of CRI >80 provides optimal light for working. The combination of direct and indirect illumination creates a feeling of natural light and provides particularly even illumination.

State-of-the-art LEDs provide either symmetrical or asymmetrical light distribution via a light panel. VITAWORK® is suitable for complete illumination of larger and more spacious offices - depending on the application, it will also fulfill the requirements of the EN 12461-1 standard and the German ASR compliance. When developing this range, we placed special emphasis on energy efficiency (approx. 135 lm/W).

A variant with biologically effective lighting (2,700–6,500 K) completes the product range.

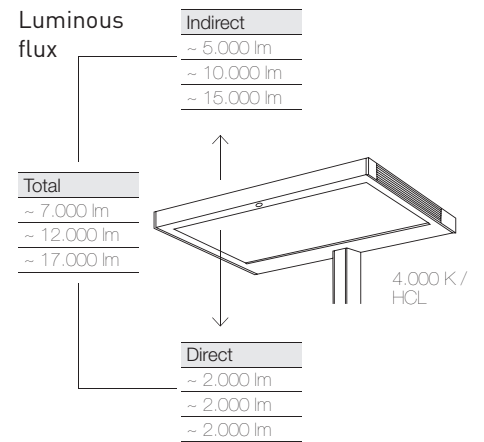




You can adjust the uplight and downlight separately to suit your individual needs

LUCTRA® VITAWORK®

- Direct/indirect distribution for a natural light impression and even illumination
- Lighting individual areas and different tasks in one design
 - 7.000 lumen: Open Space
 - 12.000 lumen: Offices with single and double work stations (approx. 16 m²)
 - 17.000 lumen: Large rooms, exposed concrete ceilings, special requirements
- Ideal for height-adjustable tables
- Automatic control via light intensity and presence sensors to save on energy costs



MADE IN GERMANY

DURABLE.EU

Operation and sensors

At the core of all LUCTRA® lamps is the patented VITACORE® electronic system. It helps provide the best quality of light, and its operation is so simple. VITAWORK® comes with a pleasantly unobtrusive touch panel. In addition to the on/off function, it's possible to adjust both the uplight and downlight seamlessly.

If desired, the floor lamp can also be controlled via a presence or light intensity sensor, which reduces energy costs.





LUCTRA TABLE LAMPS

for visual comfort



GERMAN
DESIGN
AWARD
GOLD
2017



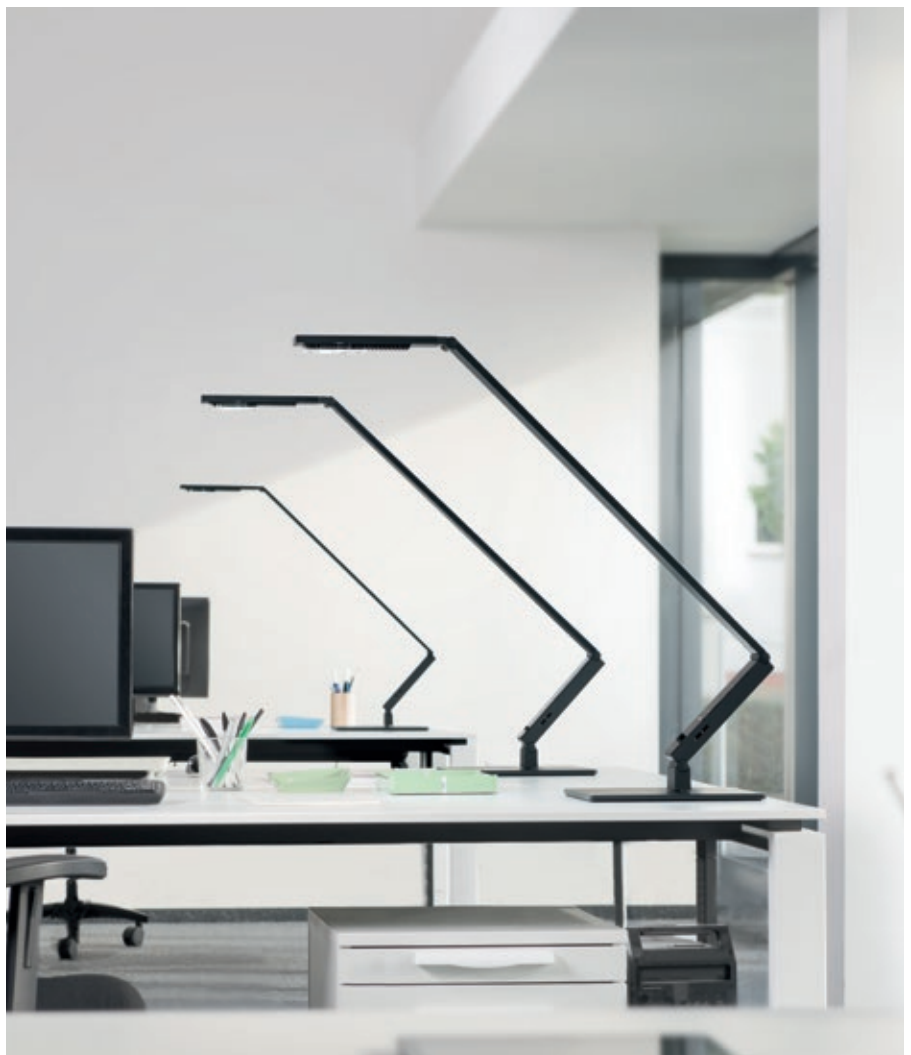
reddot award 2015
winner lighting design

LUCTRA® TABLE and TABLE PRO provide top quality lighting wherever you place them.

These lamps bring both excellent design and biologically effective light that can be adjusted to your individual personal lighting needs.

The design of the table lamp has deliberately been kept timeless and restrained, so that all its variants fit into a greater variety of rooms and interior design styles. The TABLE and TABLE PRO lamps are available with either a round (RADIAL) or an angular lamp head (LINEAR) and come in a range of colours - black, white and aluminium.

If you are looking for the perfect light on your desktop, you can choose between TABLE and TABLE PRO. The technical differences can be found on our website luctra.eu.



Focus on people

All human beings have their own circadian rhythms controlled primarily by natural daylight. With state-of-the-art LED technology and control, LUCTRA® is able to simulate the natural course of daylight and therefore ensure a well-balanced day-and-night rhythm.



Innovative operation

LUCTRA® models come with the latest LED technology and offer light of excellent quality. The colour and intensity of the light is easy and intuitive to set.

Simply tap the touch panel to adjust the light to your personal needs. Control via the app is particularly convenient, allowing you to create the optimal 24-hour lighting curve, automating the light to change throughout the day without you having to think about it.

LUCTRA® TABLE PRO LUCTRA® TABLE

- 01 | Self-locking joints
- 02 | Colour temperature adjustable from 2,700 to 6,500 Kelvin
- 03 | USB charging feature for smartphones and tablets



- 04 | Warm white and cold white LEDs, high illuminance levels of 1,000 lux on the table surface, high colour fidelity
- 05 | Temperature management for a long service life of well over 50,000 hours for LEDs
- 06 | Adjustment of colour temperature to personal daily rhythm with VITACORE® app



MADE IN GERMANY

DURABLE.EU

Name	Design	Colour code/colour	Product #
TABLE PRO	Linear	01 black/02 white/23 silver	9215
TABLE PRO	Radial	01 black/02 white/23 silver	9216
TABLE	Linear	01 black/02 white/23 silver	9201
TABLE	Radial	01 black/02 white/23 silver	9202

→ More products and information can be found at luctra.eu



Monitor Mounts

Flexible. Stable.
High-quality. Sustainable.

**10 YEAR
GUARANTEE**

DURABLE.DE

All of our innovative monitor mount models are made from high-grade, recyclable aluminium and plastic parts. The sophisticated packaging design uses one hundred percent untreated cardboard, without any styrofoam, keeping sustainability in mind..

The timeless design of the monitor mounts blends into any modern desk environment and saves space on the desktop thanks to their variable mounting options. The monitor mounts' features make installing the monitor a breeze. Thanks to the standard VESA fittings and a smart click mechanism, it only takes one person to install the monitors.

**MADE IN
GERMANY**

DURABLE.EU

The highlights:

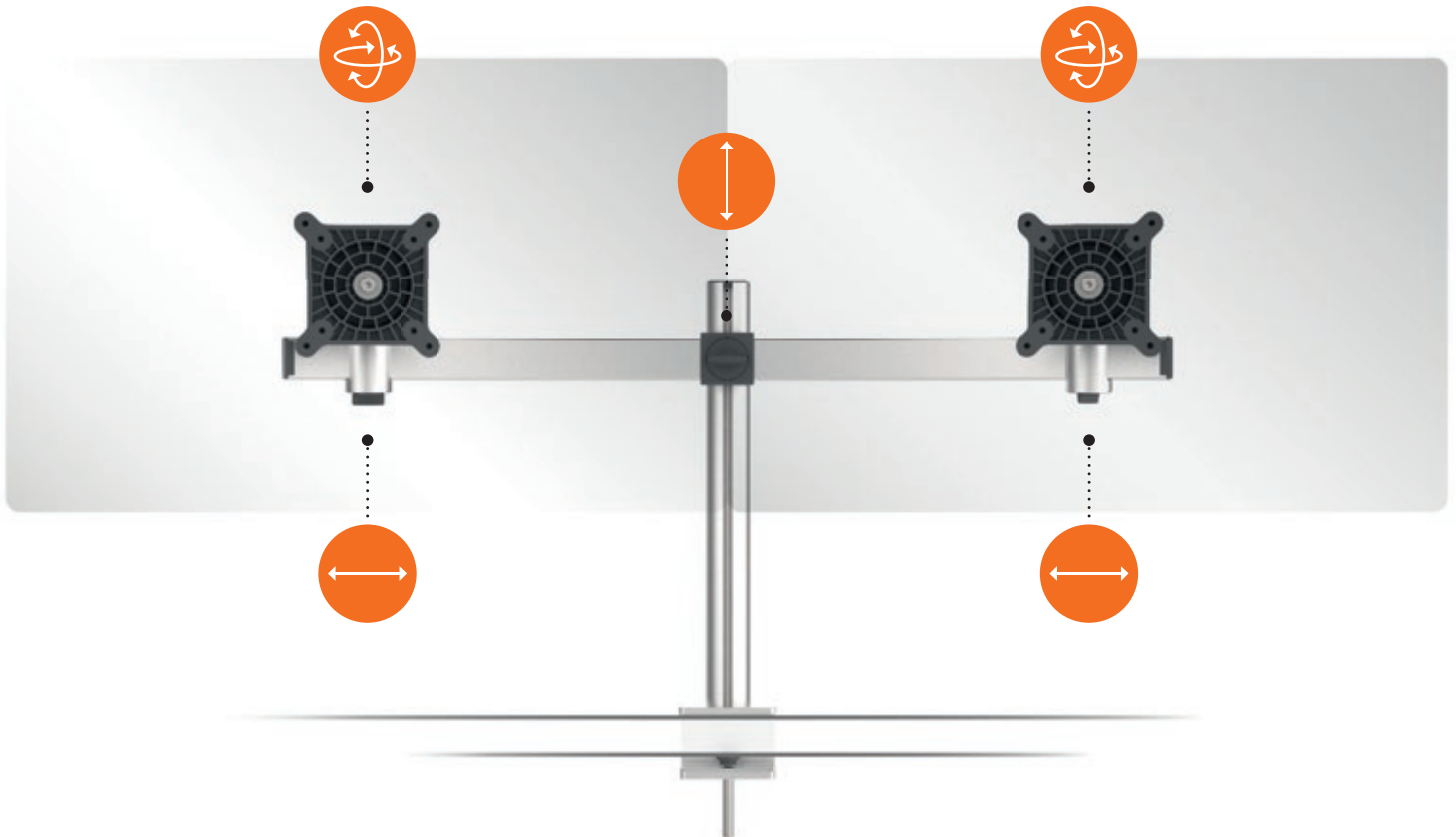
- Exceptional flexibility and smooth adjustment
- Simple monitor mounting with click mechanism
- Secure and organised cable routing with practical cable clips
- Long service life thanks to high-grade aluminium and premium plastics
- Patent pending for mounting system
- Made in Germany to the highest Quality
- 10-year guarantee

Available for 1 or 2 monitors, as well as for one monitor in combination with a tablet. Different mounting options.

MONITOR MOUNT

for two screens

The sturdy aluminium structure combined with a horizontal supporting arm, is the ideal solution for workstations with two screens. The innovative safety system ensures that the supporting arm does not slip while you adjust the height. This version also features a simple click mechanism for installing monitors. The screens can be moved along the supporting arm, aligned individually and used independently from one another, in portrait or landscape mode.



MONITOR MOUNT FOR 2 SCREENS, DESK CLAMP

- Adjustable table mount for 2 screens
- Individually adjustable height, tilt and positioning of the screens
- Extra easy attachment of the screen by snapping it into the holder
- Tool-free height adjustment, 50 - 340 mm
- Safety system protects the monitors from slipping when the height is adjusted
- Incl. 5 individually attachable cable clips for orderly cable management
- Attachment with desk clamp
- Dimensions: 780×445×190 mm (W×H×D)

5085 23 silver
 1 piece



Height-adjustable monitor supporting arm, from 50 to 340 mm by simply turning the rotary dial



Incl. 5 sliding cable clips for organising cables



TABLET HOLDER

- Variable fit for all tablet sizes 7"-13"
- 360° rotatable screen with snap-in points every 90°
- Smooth screen angle adjustment
- Slot for charging cable to be connected to the tablet whilst in use
- Anti-theft locking device for tablet (applies to all articles with the exception of 8937 and 8938)
- Stylish aluminium finish



GERMAN
DESIGN
AWARD
SPECIAL
2018

TABLET HOLDER WALL ARM

- Slimline wall bracket for tablets with movable arm
- Arm radius: 365 mm; swivel range: 180°
- Screen can be adjusted: -6° to +46°; rotatable: 170°
- Attach to a wall using the fixings supplied
- Easy assembly
- Dimensions: 95 x 225 x 170 mm (W x H x D)

8934 23 silver
📦 1 piece





TABLET HOLDER TABLE

- Desktop tablet holder
- Made from aluminium, steel and high-quality plastics
- Adjustable screen angle 0° to 88°
- Non-slip base
- Slot for additional anti-theft protection via cable lock
- Dimensions: 155×242×183 mm (W×H×D)

8930 23 silver
📦 1 piece

MADE IN GERMANY

DURABLE.EU



TABLET HOLDER WALL

- Slimline wall bracket for tablets
- Attach to a wall using the fixings supplied
- Universally and flexibly applicable
- Easy assembly
- Dimensions: 85×50×180 mm (W×H×D)

8933 23 silver
📦 1 piece

➔ For more information, please visit durable.eu

CAVOLINE®

Cable manager

- High quality and functional cable manager
- Variety of options for socket strips, power and USB cables
- Many application possibilities and high flexibility
- Simple and comfortable to use



**MADE IN
GERMANY**

DURABLE.EU



CAVOLINE® BOX

- Elegant and exclusive cable box
- Double-sided cable outlet slots for easy handling and air circulation
- Lid with convenient round cable opening for mobile phone charging cable
- High-quality flame retardant plastic
- Large non-slip rubber feet



CAVOLINE® BOX S

- For holding cables and a small socket power strip
- Dimensions: 246 × 128 × 116 mm (W × H × D)

5035 10 grey, 37 graphite
 1 piece



CAVOLINE® BOX L

- For holding cables and a 5-way socket power strip
- Dimensions: 406 × 139 × 156 mm (W × H × D)

5030 10 grey, 37 graphite
 1 piece

CAVOLINE® CLIP MIX

- Self-adhesive cable clips for 1, 2, 3 and 4 cables
- Made of soft plastic
- For attaching to smooth and clean surfaces
- Ideal for phone and USB cables up to 5 mm in diameter
- Content: 2 for 1 cable, 2 for 2 cables, 2 for 3 cables, 1 for 4 cables

5041 10 grey, 37 graphite
 7 per pack



QUADRO

Multifunctional Trolley



- Multi-functional trolley with modern design
- Highly robust and water resistant due to high density wood fibreboard
- Ideal for offices and conference rooms
- 2 cable tidy holes enables easy use of electrical equipment
- With soft-close drawer and door
- 4 castors, of which 2 have brakes
- Delivery: flat packed



QUADRO® MULTI TROLLEY ADVANCED

- With door
- 1 adjustable shelf
- 2 handles for convenient handling
- Dimensions: 450×1000×450 mm (W×H×D)
- Dimensions over all:
530×1000×450 mm (W×H×D)

3131 04 yellow, 29 light brown
📦 1 piece



QUADRO® MULTI TROLLEY BASIC

- Open trolley
- 1 adjustable shelf
- Dimensions: 450×1000×450 mm (W×H×D)

3132 06 blue, 29 light brown
📦 1 Piece



DURABLE · Hunke & Jochheim GmbH & Co. KG
Westfalenstraße 77–79 · 58636 Iserlohn
Postfach 1753 · 58634 Iserlohn
T +49 (0)23 71 662-0
F +49 (0)23 71 662-221
durable@ durable.de · durable.de

INTERNATIONAL

DURABLE · Hunke & Jochheim GmbH & Co. KG
Westfalenstraße 77–79 · 58636 Iserlohn
P.O. Box 1753 · 58634 Iserlohn · Germany
P +49 (0)23 71 662-0
F +49 (0)23 71-662-221
durable@ durable.de · durable.eu

FR

DURABLE France S.A.S
Immeuble Le Tryalis · 9, rue de Rosny · 93100 Montreuil
T +33 (0)1 48 12 10 90
F +33 (0)1 48 55 05 09
durable@ durable.fr · durable.fr

NL

DURABLE Nederland B.V.
Monierweg 3 · 7741 KV Coevorden
T +31 (0)416 543 543
F +31 (0)416 543 058
durable@ durable.nl · durable.nl

PL

Biurow Obsługi Klienta DURABLE Polska
Al.Kasztanowa 10 · 72-005 Przectaw
T +48 (0)91 432 40 70
F +48 (0)91 432 40 83
bok@ durable.pl · durable.pl

SE

DURABLE SCANDINAVIA AB
Fågelsångsvägen 4B · 186 42 Vallentuna
Box 4 · 186 21 Vallentuna
T +46 (0)8-630 11 50
info@ durable.se
durable.se

UK

DURABLE (UK) Ltd.
10 Nimrod Way, Wimborne, Dorset, BH21 7SH
P +44 (0)1202 89 70 71
F +44 (0)1202 87 33 81
customeroperations@ durable-uk.com
durable-uk.com

BE

DURABLE Belgium N.V./S.A.
Industriepark 14/101 · 9031 Gent-Drongen
T +32 (0)9 281 26 44
F +32 (0)9 281 26 29
durable@ durable.be · durable.be

IT

DURABLE Italia S.R.L
Via Dottor Pietro Greppi, 15/B · 23824 Dervio (LC)
T +39 (0)341 807 806
info@ durable.it · durable.it

RU

Представительство компании DURABLE в России
123290, г. Москва,
ул.2-я Магистральная, д.14Г, стр.1, оф. 214
T +7 495 601 92 13
durable_russia@mail.ru · durable-russia.com

US

DURABLE Office Products Corp.
2475 S. Wolf Road · Des Plaines, IL 60018
P +1 (0)800 273 31 18/847 787 01 00
F +1 (0)847 787 03 11
customerservice@ durableofficeproducts.com
durable-north-america.com